

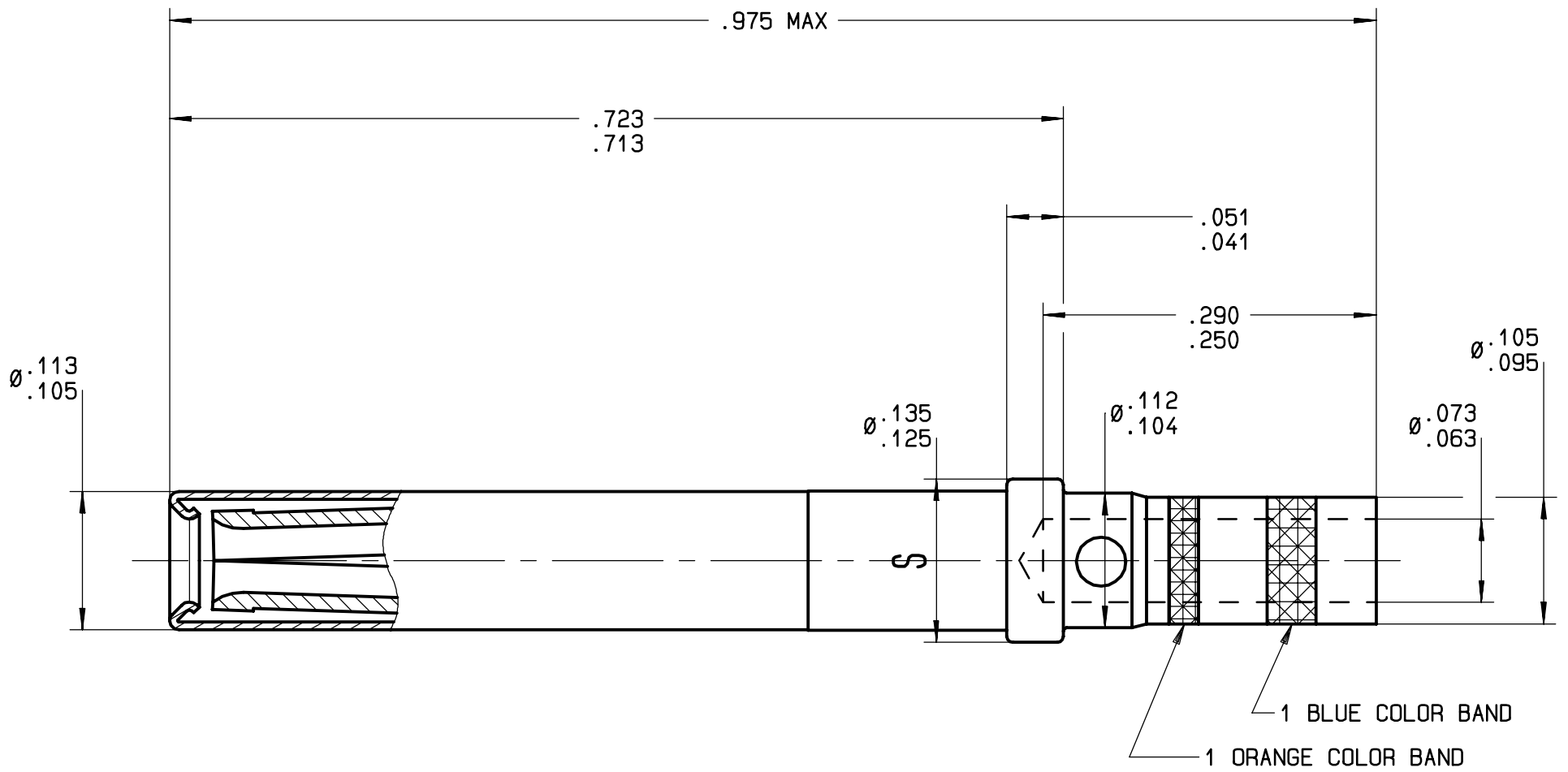


Series
NSX

SIZE 16 CRIMP REMOVABLE SOCKET CONTACT

Issue:
11 APRIL 96

Page
1 / 1



MATERIAL AND FINISH :
BODY CONTACT : COPPER ALLOY - GOLD OVER NICKEL
PROTECTIVE SLEEVE : STAINLEES STEEL

WIRES ACCOMODATED : AWG 16-18-20
INSULATION DIAMETER : .130 MAX
STRIP LENGTH : .236

TOOLING
CRIMPING TOOL : M22520/1-01 RADIALL 282 291
SELECTOR POSITION : 6 FOR AWG 16
5 FOR AWG 18
4 FOR AWG 20

POSITIONER : M22520/1-02 RADIALL 282 972
INSERTION AND EXTRACTION TOOL : M81969/1-03 RADIALL 282 546

This information is given as an indication. In the continual goal to improve our products, we reserve the right to make any modifications judged necessary.

4112-9311

CREATION				
PEN: .				
NOM: L FALETTI				
DATE: 25 APR 83	11 APR 96	REDRAWN	VALGRESY	.
APPR.:	Issue	Revisions	Name	Approved